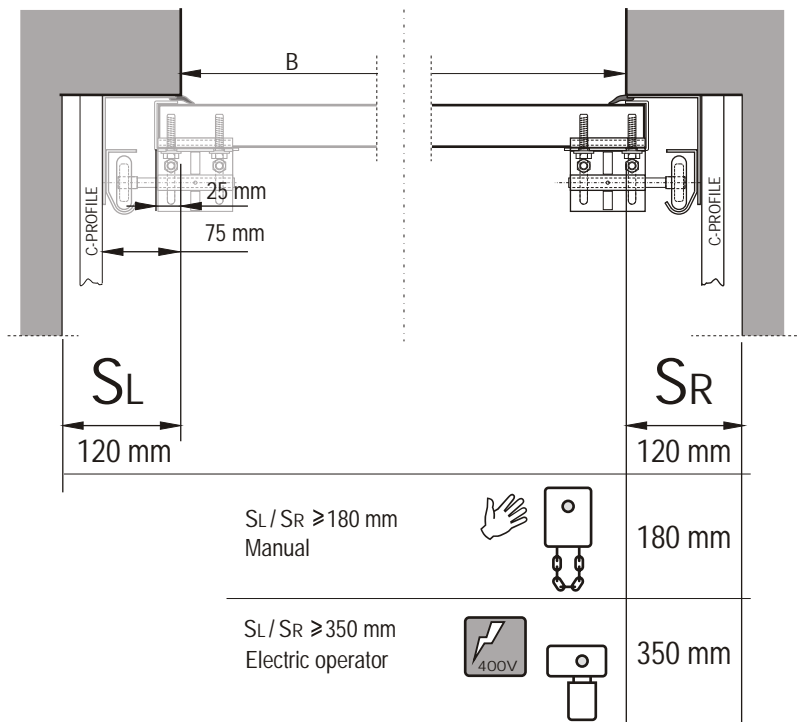
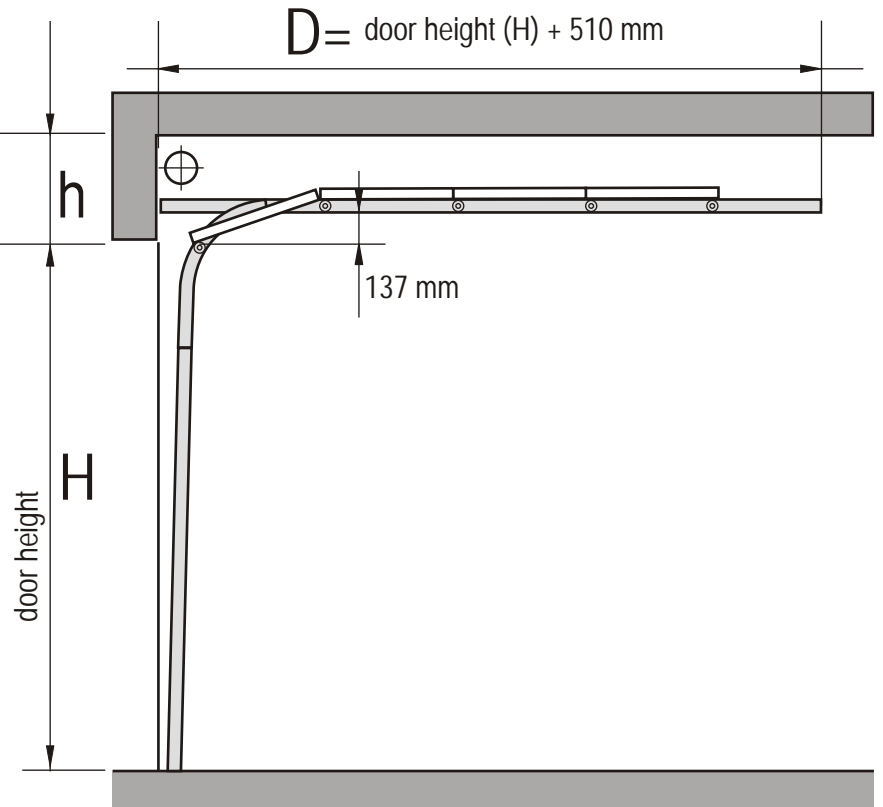
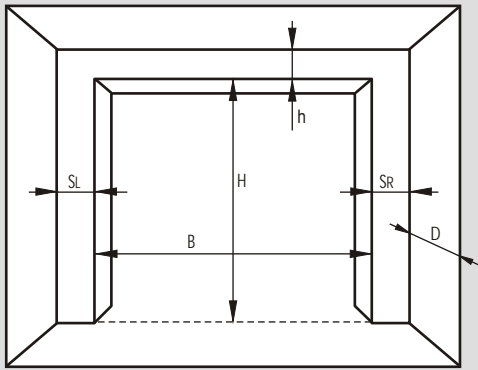




STANDARD LIFT TRACKS STD

TRACK TYPES

- $h \geq 400\text{mm}$ (opening size < 3250mm)
- $h \geq 450\text{mm}$ (opening size < 5200mm)
- $h \geq 480\text{mm}$ (opening size > 5200mm)



Chain hoist or operator may be also installed on the left side (SL)



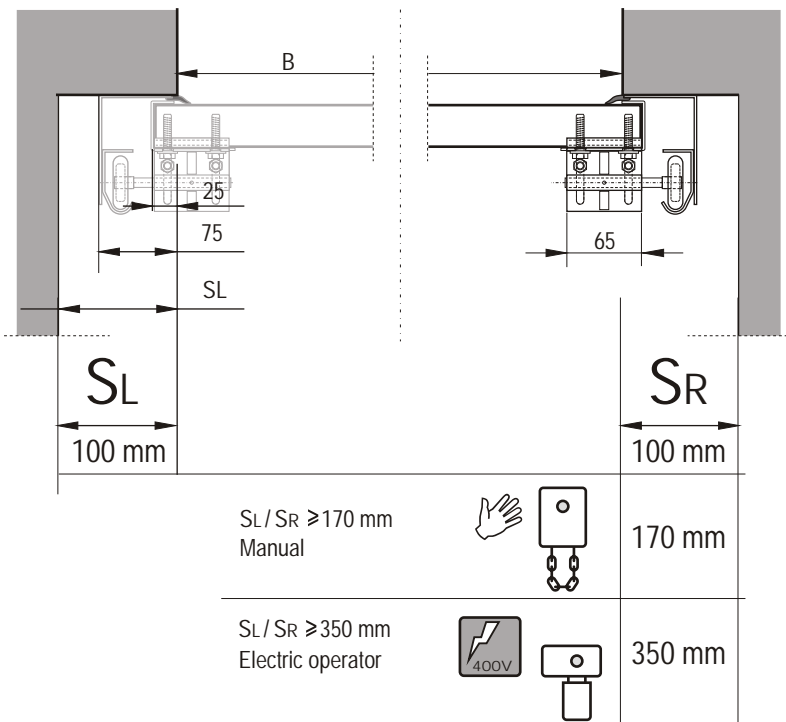
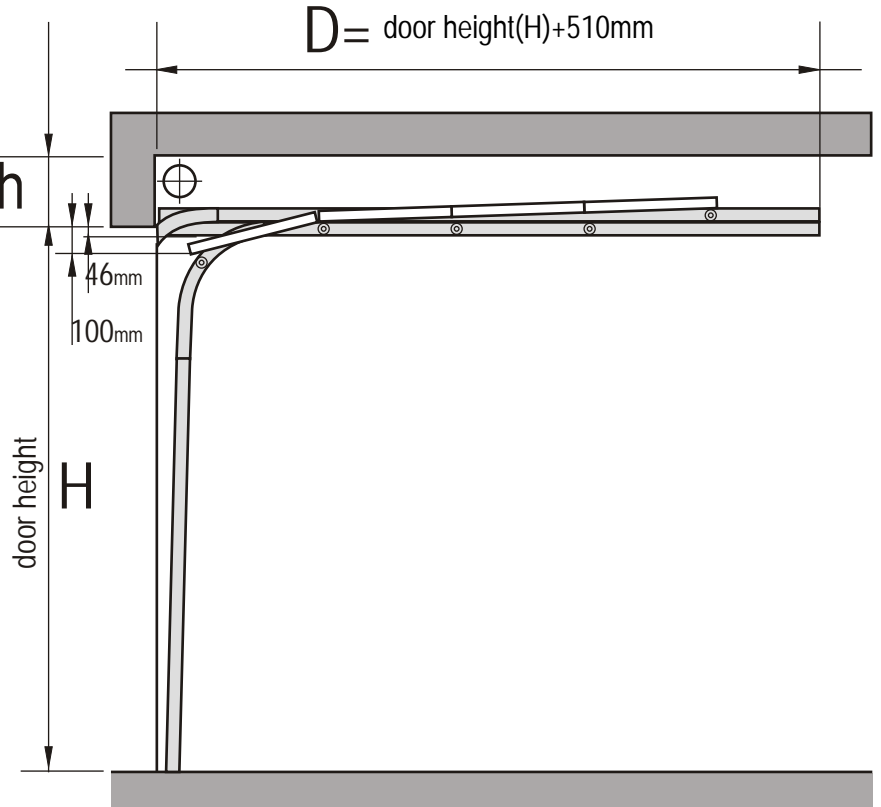
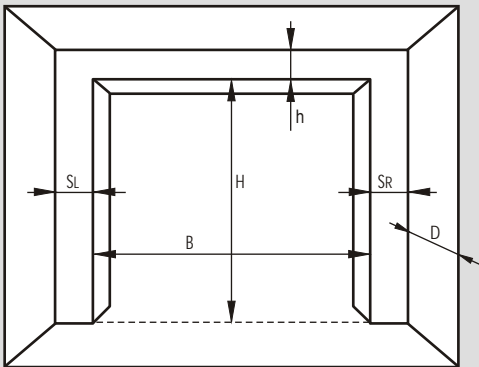
LOW HEADROOM TRACKS

LHR-FM

low headroom lift double tracks,
front mounted springs

TRACK TYPES

- $h \geq 250\text{mm}$ (opening size < 3250mm)
- $h \geq 320\text{mm}$ (opening size < 5200mm)
- $h \geq 360\text{mm}$ (opening size > 5200mm)



Chain hoist or operator may be also installed on the left side (SL)

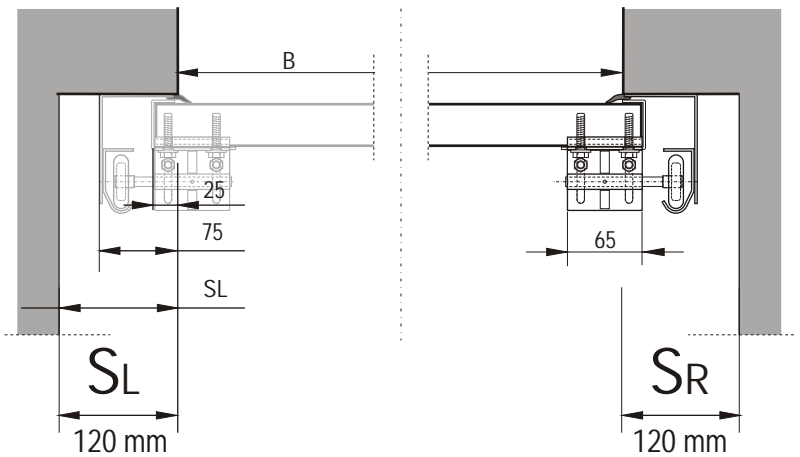
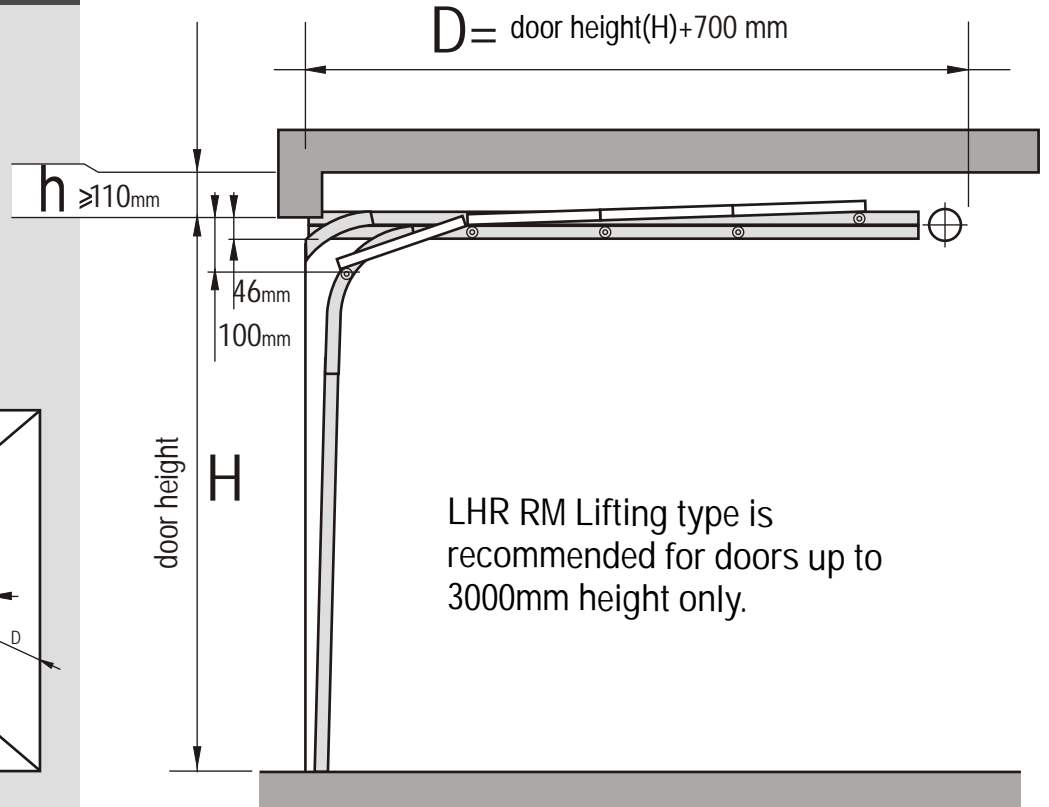
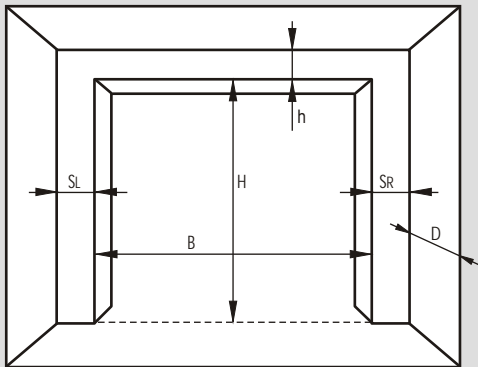


LOW HEADROOM TRACKS

LHR-RM

low headroom lift double tracks,
rear mounted springs

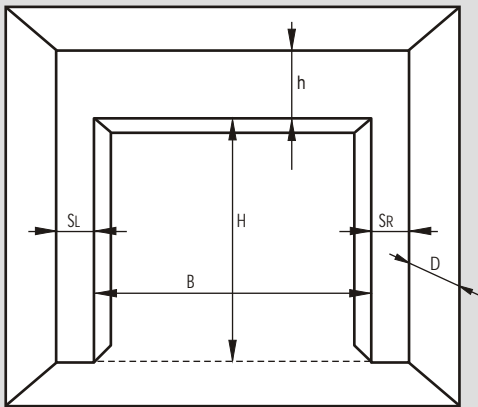
TRACK TYPES



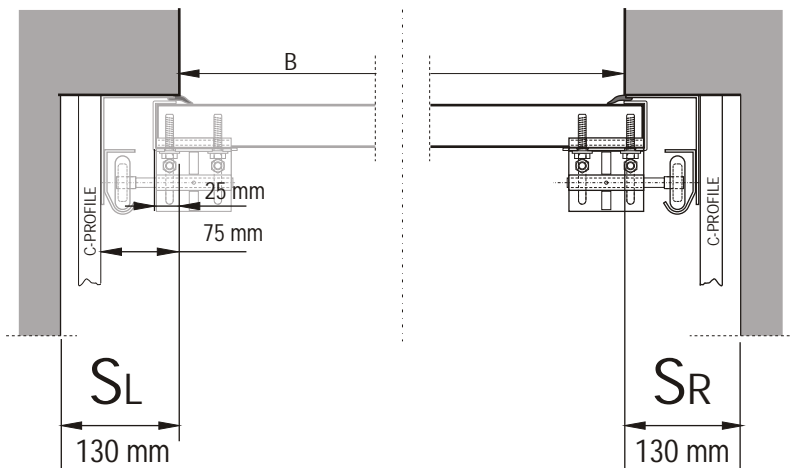
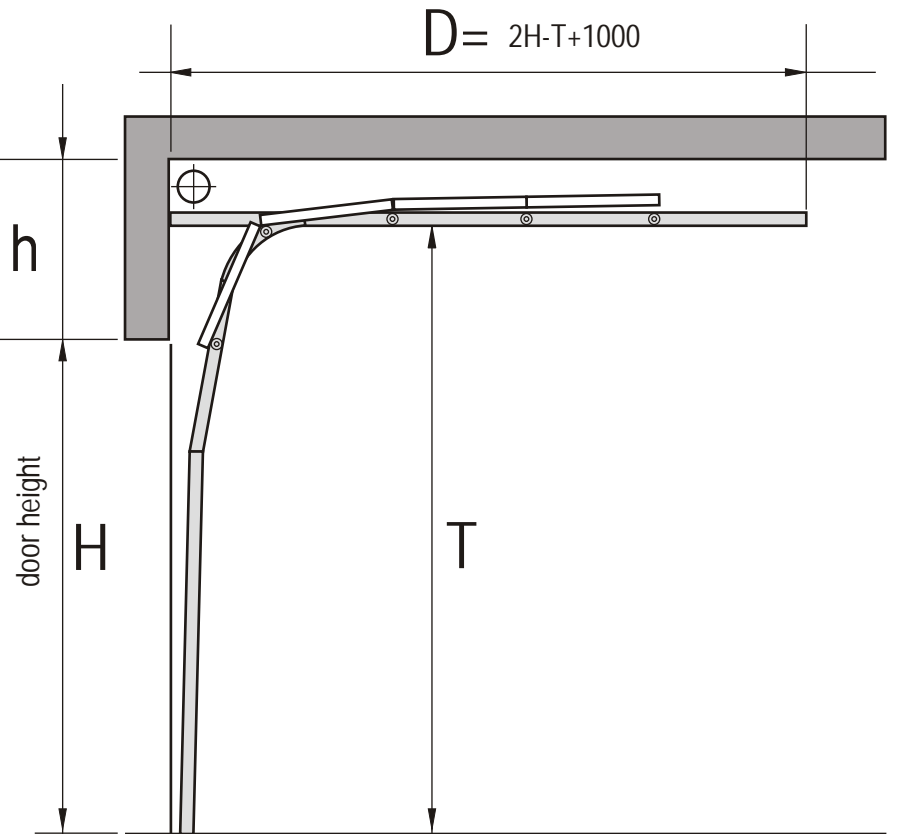


TRACK TYPES

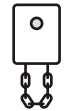
- $h \geq 1600 \text{ mm}$
- $h \geq 1610 - 3350 \text{ mm}$
- $h \geq 3360 - 4450 \text{ mm}$



HIGH LIFT TRACKS
HL



SL / SR $\geq 200 \text{ mm}$
Manual



200 mm

SL / SR $\geq 350 \text{ mm}$
Electric operator



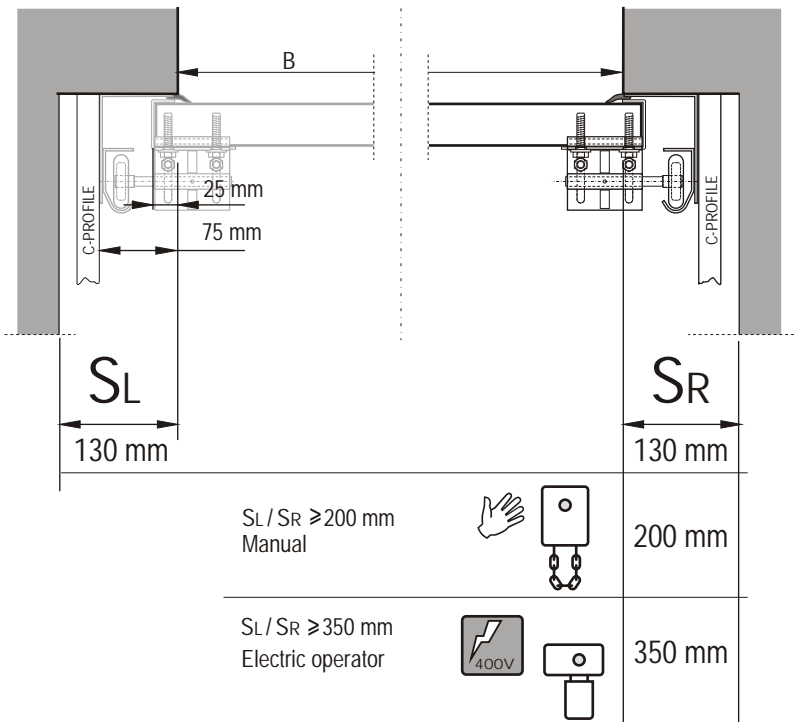
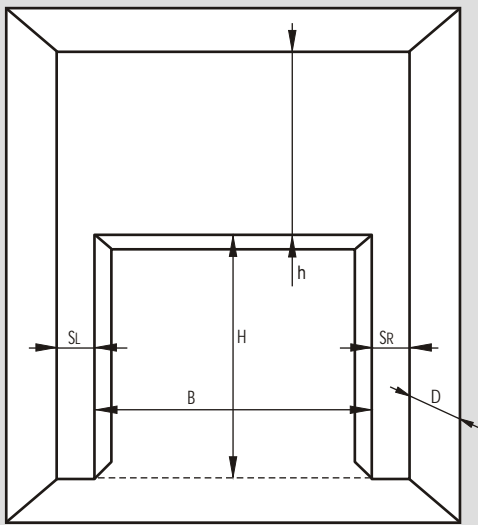
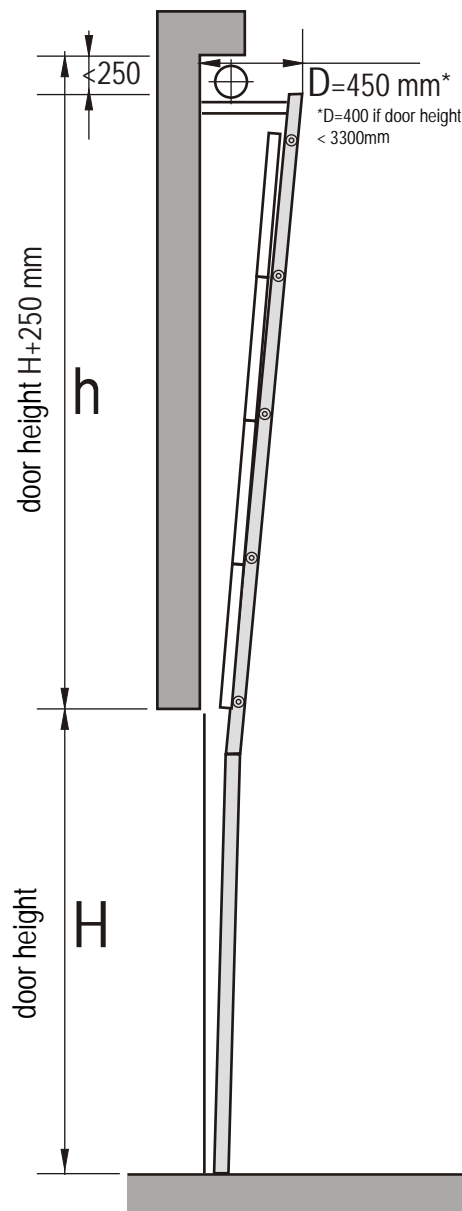
350 mm

Chain hoist or operator may be also installed on the left side (SL)



VERTICAL
LIFT TRACKS
VL-TM
top mounted springs

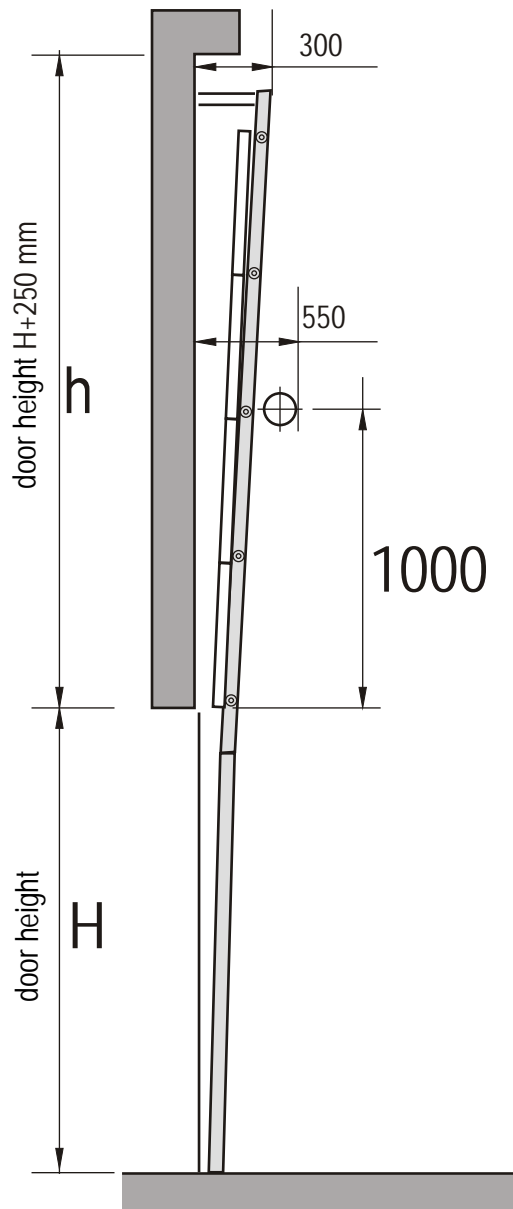
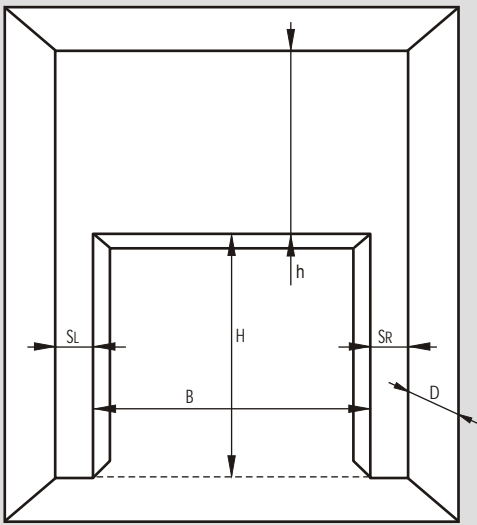
TRACK TYPES



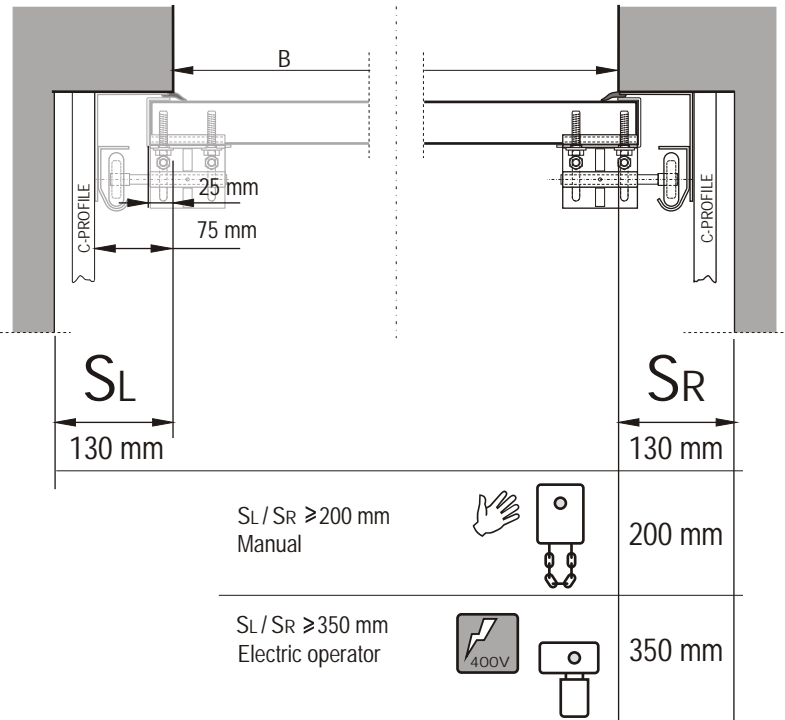
Chain hoist or operator may be also installed on the left side (SL)



TRACK TYPES



VERTICAL LIFT TRACKS VL-MM Low mounted springs



Chain hoist or operator may be also installed on the left side (SL)